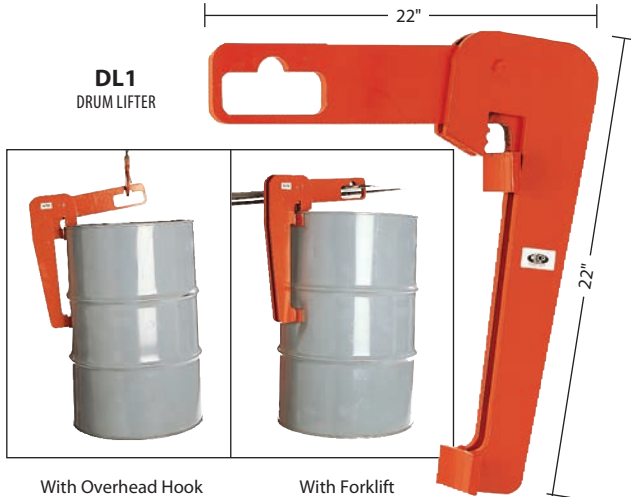




DL1
DRUM LIFTER



DRUM LIFTER

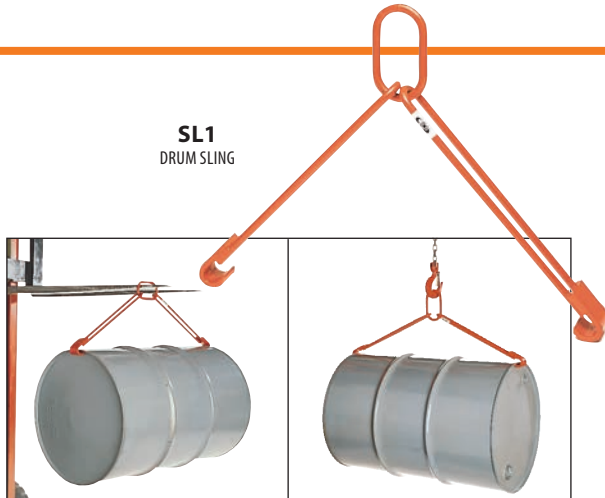
EASY TO USE WITH FORKLIFT OR HOOK

The Drum Lifter is designed for no-tilt lifting of open or closed head drums with or without tops in place. Our self adjusting Drum Lifter instantly adapts to individual drum loads with its unique compressing action. The heavier your drum, the tighter our lifter will grip. Simple enough for use by one person with any overhead lifting system. Opening for forklift tine or hook attachment is 2 1/2" x 5". For use with steel drums only.

• SHIPS IN A CARTON VIA UPS

MODEL NO.	CAPACITY	WEIGHT
DL1	3000 lbs	45 lbs

SL1
DRUM SLING



DRUM SLING

SIMPLIFIES LIFTING HORIZONTAL DRUMS

Lift 55 gallon drums from the horizontal position with our **MECO OMAHA** Drum Sling. This simple and effective Drum Sling consists of two 18 1/2" legs of 1/2" steel round bar with a 1000 lb. capacity. The Drum Sling is strong enough for your heaviest drums. The 3" x 6" steel lifting ring is designed to handle hooks of all standard overhead lifting systems. Lifting ring also accommodates 4" forklift tines. For use with steel drums only.

• SHIPS IN A CARTON VIA UPS

MODEL NO.	CAPACITY	WEIGHT
SL1	1000 lbs	7 lbs

DC55
DRUM CADDY



DRUM CADDY

FOR DRUM HANDLING EASE WITH FORKLIFT

MECO OMAHA Drum Caddies allow you to transport drums with your forklift. This simple and inexpensive piece of equipment is designed for safety. The manual handling of drums is greatly reduced. Steel band slips over your drum and is fastened with a specially designed overcenter latch. Unique 5" x 3" pivoting fork stirrups will allow you to tilt your drums for ease of dispensing. For use with steel drums only.

• SHIPS IN A CARTON VIA UPS

MODEL NO.	DRUM SIZE	CAPACITY	WEIGHT
DC30	30 Gallon 18"-18 1/2" diameter	1000 lbs	18 lbs
DC55	55 Gallon 22"-22 1/2" diameter		20 lbs