

# SELF DUMPING HOPPER ACCESSORIES



**HINGED LIDS** for self dumping hoppers must be factory installed (prices include installation). One lid size fits Extra Heavy, Heavy, or Medium Duty hoppers. Painted orange or gray (lids will be painted orange unless suffix “-G” is added to the model number). Hoppers with lids are not stackable. The addition of a lid may alter the operation of the hopper. Please specify type A, B or C as set forth below. Indicate the type as a suffix to the model number. Example: HL100A or HL100A-G.

Add **CASTERS** to your hopper for mobility and free your valuable fork truck. Casters are available for hopper sizes through 2 1/2 cubic yards—6" or 8" diameter—in a two swivel/two rigid combination. All wheels have roller bearings; swivel casters have hardened double-ball raceway and 3/4" kingpin. Hoppers are shipped with casters bolted to the base; casters may be field installed.

**OTHER POPULAR ACCESSORIES** such as **3-way entry**, **platform legs** and **trip chains** are available, please call your **MECO OMAHA** representative for prices and specifications. Hoppers with accessories are non-returnable.

## • HINGED LIDS (NOT FOR USE WITH SERIES 90 HOPPERS)

MODEL NO.	HOPPER SIZE (CUBIC YARDS)	WEIGHT
HL025	1/4	50 lbs
HL033	1/3	55 lbs
HL050	1/2	75 lbs
HL075	3/4	86 lbs
HL100	1	96 lbs
HL150	1 1/2	140 lbs
HL200	2	145 lbs
HL250	2 1/2	179 lbs
HL300	3	189 lbs
HL400	4	248 lbs

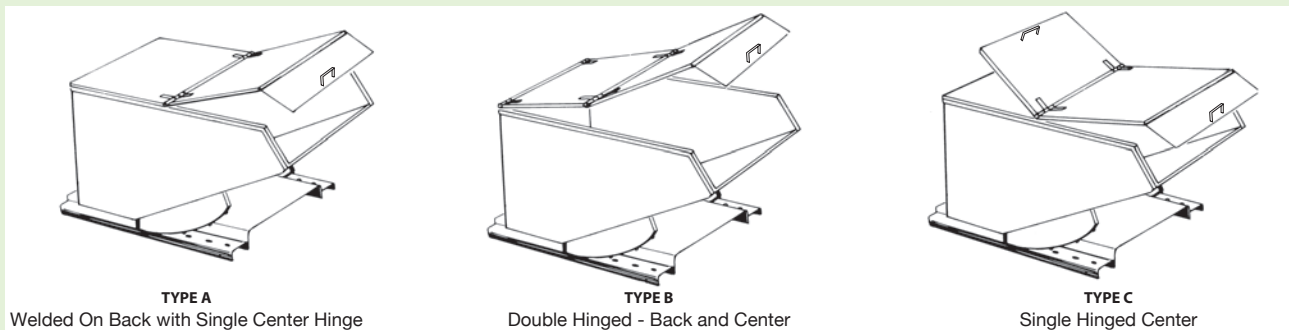
## HINGED LIDS and CASTERS



## • CASTERS (SET OF 4)

MODEL NO.	WHEELS		CAPACITY (SET OF 4)	WEIGHT
	SIZE	COMPOSITION		
CK620VR	6" x 2"	Mold-On Rubber	1600 lbs	53 lbs
CK625VR	6" x 2 1/2"		2000 lbs	71 lbs
CK820VR	8" x 2"		2000 lbs	67 lbs
CK825VR	8" x 2 1/2"	Steel	2700 lbs	74 lbs
CK620SS	6" x 2"		4000 lbs	59 lbs
CK625SS	6" x 2 1/2"		6000 lbs	91 lbs
CK820SS	8" x 2"	Phenolic	4000 lbs	72 lbs
CK825SS	8" x 2 1/2"		6000 lbs	93 lbs
CK620PH	6" x 2"		4800 lbs	46 lbs
CK625PH	6" x 2 1/2"	Polyurethane	6000 lbs	60 lbs
CK820PH	8" x 2"		5600 lbs	55 lbs
CK825PH	8" x 2 1/2"		6000 lbs	75 lbs
CK620PU	6" x 2"	Polyurethane	4000 lbs	56 lbs
CK625PU	6" x 2 1/2"		4400 lbs	76 lbs
CK820PU	8" x 2"		4000 lbs	74 lbs
CK825PU	8" x 2 1/2"	5300 lbs	79 lbs	

When ordering a hinged lid for a self dumping hopper, please specify type A, B or C as set forth below. Indicate the type as a suffix to the model number. Example HL100A.



TYPE A

Welded On Back with Single Center Hinge

TYPE B

Double Hinged - Back and Center

TYPE C

Single Hinged Center